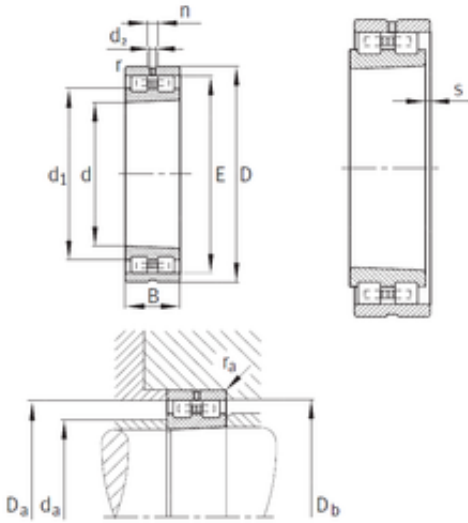




# PRECISION BEARING CORP

## 30 mm x 55 mm x 19 mm INA NN3006-AS-K-M-SP cylindrical roller bearings

Bearing No. NN3006-AS-K-M-SP



NN3006-AS-K-M-SP Bearing 2D drawings and 3D CAD models

Size	30x55x19 mm
Bore Diameter	30 mm
Outer Diameter	55 mm
Width	19 mm
d	30 mm
D	55 mm
E	48,5 mm
B	19 mm
C	19 mm
n	4,8 mm
d1	39,7 mm
d2	3,2 mm
r min.	1 mm
da min.	35 mm
Da max.	50 mm
Db min.	49 mm
ra max.	1 mm
S	1,4 mm
Weight	0,191 Kg
Basic dynamic load rating (C)	29 kN
Basic static load rating (C0)	34 kN
(Grease) Lubrication Speed	16 000 r/min
(Oil) Lubrication Speed	19 000 r/min