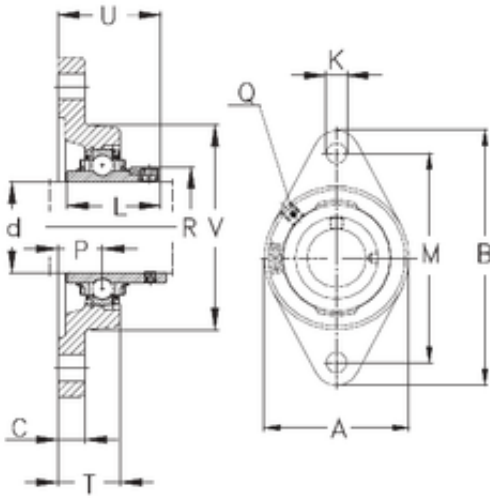




PRECISION BEARING CORP

NKE RCJT30-N bearing units

Bearing No. RCJT30-N



RCJT30-N Bearing 2D drawings and 3D CAD models

Bore Diameter	30 mm
d	30 mm
P	20 mm
V	80 mm
U	50,1 mm
K	11,5 mm
A	80 mm
B	142 mm
C	12 mm
L	48,4 mm
M	116,5 mm
R	44 mm
T	29 mm
Thread (G)	R1/8 "