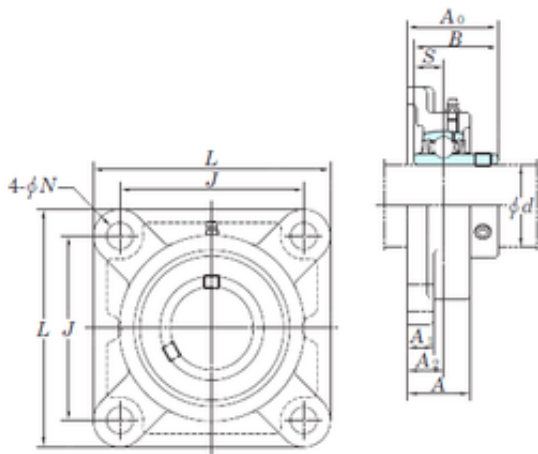




PRECISION BEARING CORP

KOYO UCF309-28 bearing units



Bearing No. UCF309-28

Bore Diameter	44,45 mm
d	44,45 mm
A0	60 mm
A	44 mm
A1	18 mm
B	57 mm
J	125 mm
L	160 mm
N	19 mm
S	22 mm
Bolt (G)	M16
A2	25 mm
Weight	4 Kg
Basic dynamic load rating (C)	48,9 kN
Basic static load rating (C0)	29,5 kN

UCF309-28 Bearing 2D drawings and 3D CAD models