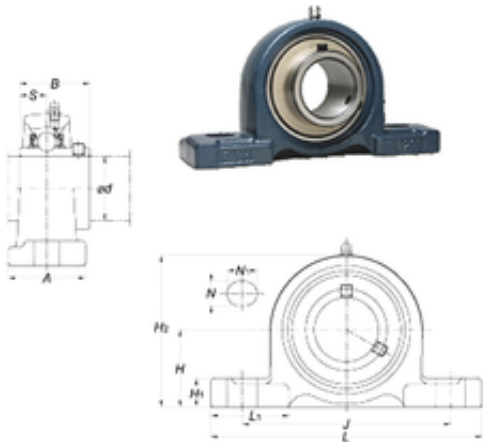




# PRECISION BEARING CORP

## FYH UCPX12 bearing units



Bearing No. UCPX12

Bore Diameter	60 mm
Width	65,1 mm
d	60 mm
A	83 mm
B	65,1 mm
H	76,2 mm
H1	28 mm
H2	152 mm
J	203 mm
L	286 mm
L1	88 mm
N	25 mm
N1	40 mm
S	25,4 mm
Bolt (G)	M20
Weight	7,7 Kg
Basic dynamic load rating (C)	57,2 kN
Basic static load rating (C0)	40,1 kN
Category	Mounted Units & Inserts
Inventory	0.0
Manufacturer Name	FYH BEARING UNITS
Minimum Buy Quantity	N/A
Weight / Kilogram	0
Product Group	M06110

UCPX12 Bearing 2D drawings and 3D CAD models